



CERT FIRE
APPROVED
PRODUCT
 No CF142

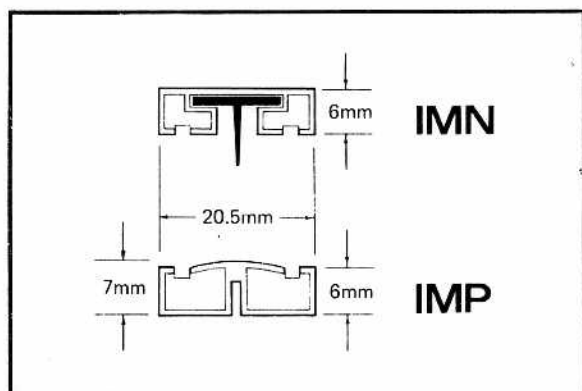
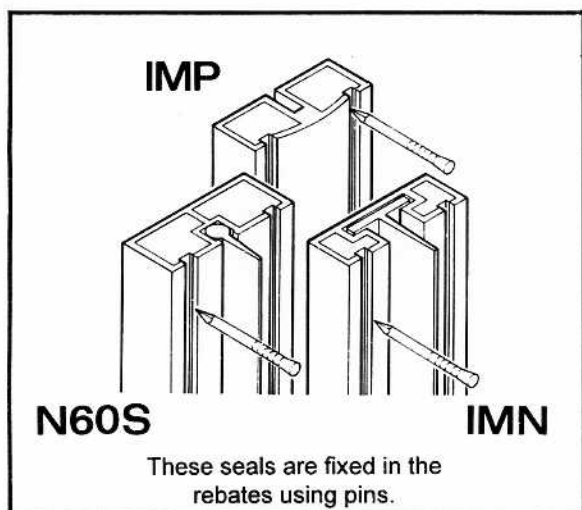
FITTING INSTRUCTIONS

IMN/IMP

30 minute fire and smoke seal

N60S/IMP

60 minute fire and smoke seal

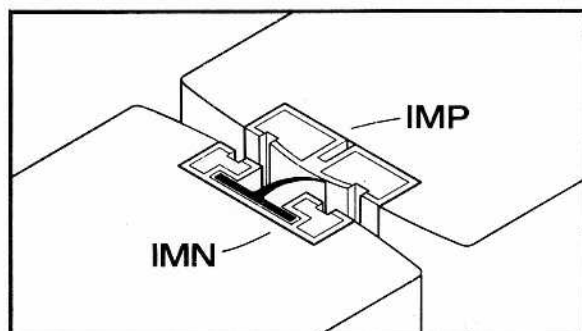


Seal	Extrusion Width	Extrusion Depth
IMN	20.5mm	6mm
IMP	20.5mm	6mm
N60S	21mm	7.5mm

The recommended door-to-door gap and door-to-frame gap is 3mm.

FITTING IMN/IMP

On double leaf swing doors IMN is fitted into the edge of one meeting stile. It is also fitted into the head rails and hanging stiles of both doors. Alternatively, IMN may be fitted into the head and jambs of the door frame. IMP is fitted into the opposing meeting stiles of the second door. NOTE. At the meeting stiles the IMN blade insert must only make contact with the curved face of IMP and not with the door edge.



FITTING N60S/IMP

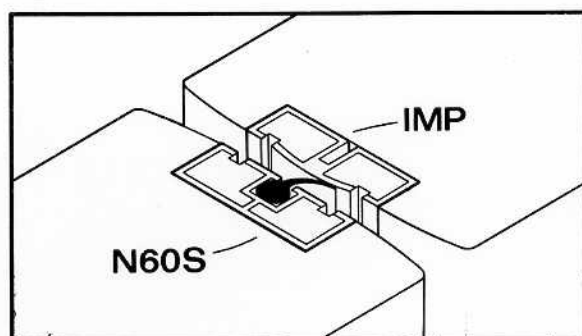
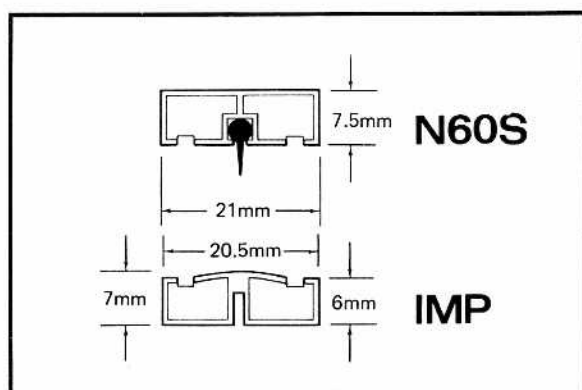
N60S/IMP is fitted in the same way as IMN/IMP.

Intumescent strips are supplied in standard lengths of 1050mm to be cut to fit on site.

Cut ends require no treatment and, if required, short ends may be used butted up to each other. Strips should be pinned every 200mm or as required.

All corners of timber components must be well rounded to prevent damage to the insert and ensure ease of adjustment.

Solvent based glues, paints, varnishes etc must not come into contact with neoprene inserts.



The information given here is based on our general experience and tests and is intended for guidance only. Every effort is made to ensure that the data on this instruction sheet is correct and we do not accept liability for injury, loss or damage arising from reliance thereon. This data sheet does not form part of a contract and any difficulties arising from on-site conditions should be referred to our engineers for advice.

Sealmaster

PAMPISFORD CAMBRIDGE CB2 4HG
 Tel: (01223) 832851 Fax: (01223) 837215

