

Fitting Instructions

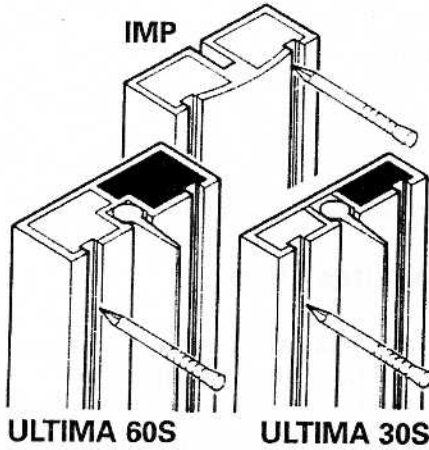
ULTIMA 30S/IMP

- 30 minute fire and smoke seal

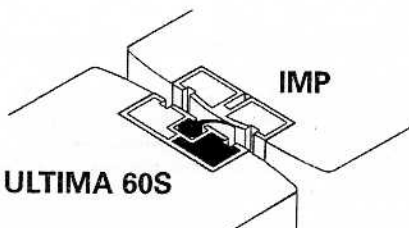
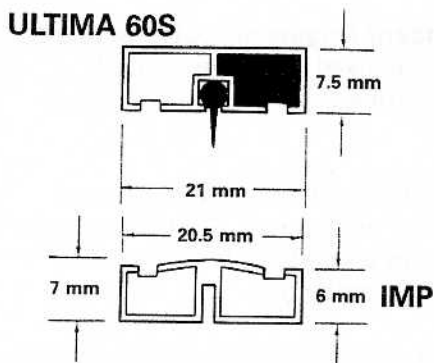
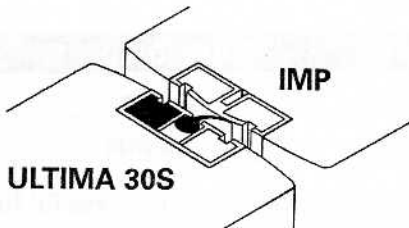
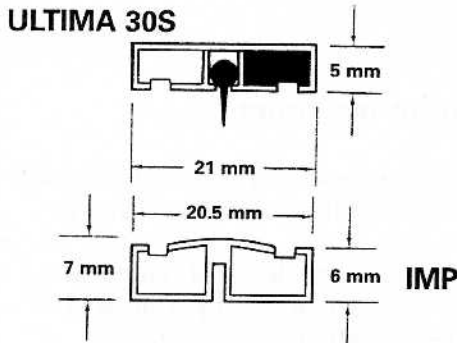
N60S/IMP

- 60 minute fire and smoke seal

These seals are rebated into the edges of double-acting, double leaf pivot or hinged fire doors. It is essential that the correct width of rebate is cut as remedial work can cost time and money. We recommend that the groove be routed to give a 'light press fit' for the extrusion. The seal should finish flush with timber.



These seals are fixed in the rebates using pins



SEAL	EXTRUSION WIDTH	EXTRUSION DEPTH
ULTIMA30S	21 mm	5 mm
IMP	20.5 mm	6 mm
ULTIMA60S	21 mm	7.5 mm

The recommended door-to-door gap and door-to-frame gap is 3mm.

Fitting ULTIMA30S/IMP

On double leaf swing doors ULTIMA30S is fitted into the edge of one meeting stile. It is also fitted into the head rails and hanging stiles of both doors. Alternatively, ULTIMA30S may be fitted into the head and jambs of the door frame. IMP is fitted into the opposing meeting stile of the second door.

Note. At the meeting stiles the ULTIMA30S blade insert must only make contact with the curved face of IMP and not with the door edge.

Fitting ULTIMA60S/IMP

ULTIMA60S/IMP is fitted in the same way as ULTIMA30S/IMP.

Intumescent strips are supplied in standard lengths of 1050mm to be cut to fit on site.

Cut ends require no treatment and, if required, short ends may be used butted up to each other. Strips should be pinned every 200mm or as required. 'NIP' aluminium carrier onto base of insert to prevent it slipping out.

All corners of timber components must be well rounded to prevent damage to the insert and ensure ease of adjustment.

Solvent based glues, paints, varnishes etc must not come into contact with neoprene inserts.

The information given here is based on our general experience and tests and is intended for guidance only. Every effort is made to ensure that the data on this instruction sheet is correct and we do not accept liability for the injury, loss or damage arising from reliance thereon. This data sheet does not form part of a contract and any difficulties arising from on-site conditions should be referred to our engineers for advice.



Sealmaster

Pampisford Cambridge CB2 4HG
Tel: 01223 832851 Fax: 01223 837215